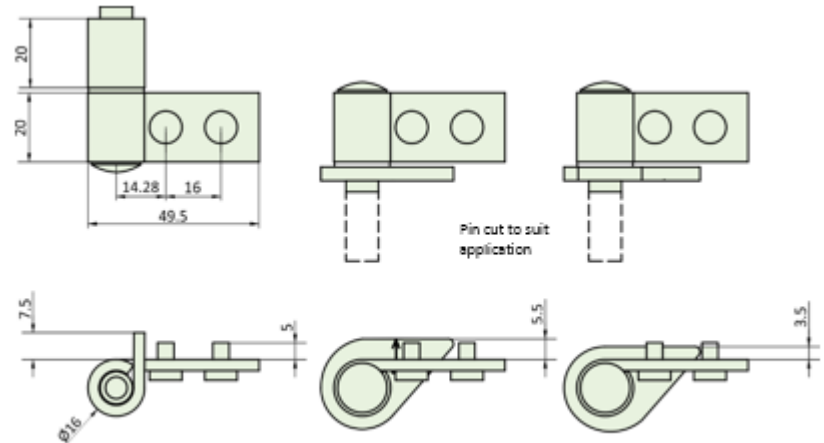


PRODUCT FEATURES & TECHNICAL INFORMATION

- A traditional hinge made from mild steel with 2 fixing rivets
- A 2 in 1 hinge suitable for 2 different configurations that can be used for side or top hung windows
- Supplied with 'Pear Drop' washer which is suitable for 3mm or 5mm profile
- Requires a suitable finish to be applied, *these are normally fixed to the window during preparation stages*
- Hinges are non-handed

B543 Corner Rivet and Weld on Hinge



B543

Steel Window Fittings/Hinges/B543

Dimensions